

FPX9102H

Wireless Router with 2 FXO Ports

FPX9102H network management type wireless router is one of the most popular converged gateway products developed and produced in the era of Flyingvoice. The black body is simple and elegant, and the business shape is more suitable for business use. It supports automatic discovery and zero-configuration IP terminals for user deployment. It is also compatible with most network service providers, supports automatic configuration, and TR069 remote management. It supports up to 16(5G)+16(2.4G) extension numbers, you can conduct both internal and external calls with FPX9102H. Small businesses, home offices, remote offices, and multi-branch businesses provide a low-cost, easy-to-use IP voice phone solution.



Key Features and Benefits



Flexible Network Connection

Five Gigabit Ethernet ports and dual-band 1200Mbps wireless can simultaneously provide the requirements of wired / wireless connection in the office.



Easy Deployment

It supports automatic discovery and zero-configuration IP terminals for user deployment. It is also compatible with most network service providers, supports automatic configuration, and TR069 remote management.



File storage and transmission

The USB 2.0 interface is connected to a U disk and can be used as a TFTP server or Samba server to provide file storage and transmission functions.

- 2 FXO Ports
- Support 5GHz & 2.4GHz
- Support Asterisk
- 5 x 10/100/1000Mbps Ethernet
- USB Storage
- Support TR069 & SNMP

Power

- > AC/DC Adapter
- > AC Input: 100~240V, 50~60Hz
- > DC Output: 12V, 2A

Operating System

- > Linux 2.6.36

Interfaces

- > 1 x RJ-45 Gigabit WAN port
- > 4 x RJ-45 Gigabit LAN ports
- > 2 x RJ-11 FXO ports
- > 1 x USB 2.0 Port

Button

- > Power button
- > Reset button

Environmental

- > Operation Temperature: -5~45 Degree C
- > Storage Temperature: -25~ 85 Degree C
- > Relative Humidity: 10%~90% No Condensing

Audio Codec

- > G.711(A/u), PAMS>4.3
- > G.729A/AB, PAMS>4.0
- > T.30 FAX with G.711
- > Adaptive Jitter Buffer
- > Voice Activity Detection
- > Comfort Noise Generation
- > Echo Cancellation

Dimensions And Weight

- > 153mm(L)x153mm(W)x35mm(H)
- > 330g(N.W)

Wireless

- > 802.11 b/g/n 300Mbps MIMO
- > 802.11 a/an/ac 867Mbps MIMO
- > 8 SSID
- > Security Mode: OPENWEP (64/128bit), WPA-PSK/WPA2-PSK, WPA-PSK, WPA2-PSK
- > AP Isolation and MBSSID AP Isolation
- > WMM
- > WDS
- > DHCP Client list
- > MAC filtering (different from wired MAC filtering)

Management

- > Firmware Upgrade
- > Web Management Interface
- > Local and Remote Syslog (RFC3164)
- > Auto Provision
- > SNTP Time Synchronization
- > Multi User Level
- > SNMPv2
- > TR069
- > FACS
- > Network diagnosis

Protocols

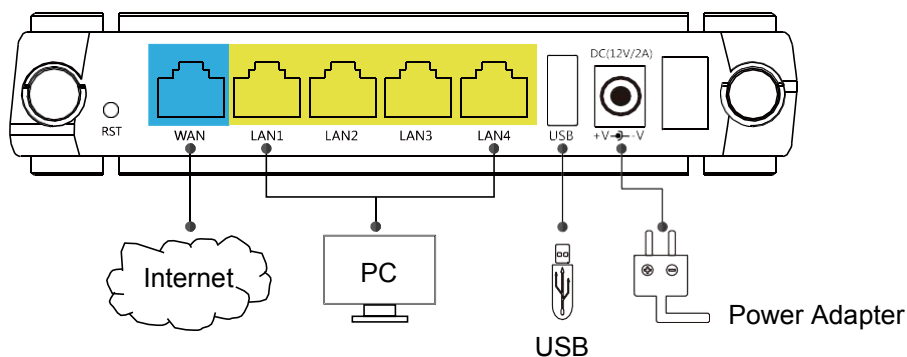
- > SIP V2.0 (RFC 3261)
- > Backward compatible with RFC2543
- > Session timer (RFC4028)
- > SDP (RFC2327)
- > RTP/RTCP (RFC1889/RFC1890)
- > NAPTR for SIP URI lookup (RFC2915)
- > STUN (RFC3489)
- > ARP/RARP (RFC 826/903)
- > SNTP (RFC 2030)
- > TFTP/HTTP/HTTPS for Auto Provision
- > Message Waiting Indicator (RFC3842)
- > DHCP Option Codes for SIP (RFC3361)
- > DNS/DNS SRV (RFC1706 and RFC 2782)
- > TR069 (TR098, TR104)
- > IEEE802.1Q VLAN/802.1p/DSCP
- > SNMP v2

Applications

- > Support Asterisk
- > SIP trunk
- > IVR
- > IPv6
- > VPN: PPTP, L2TP, OpenVPN
- > DDNS
- > QoS
- > Static route
- > Firewall
- > 2 PSTN Trunks(FXO ports)

FXO port features

- > Busy tone detection
- > No current streak detection
- > Voice interrupt detection
- > One-time dialing
- > Dial two times
- > PSTN Outside Port Poll
- > Incoming call detection (Bellcore Type 1&2, ETSI, DTMF)
- > FAS (Fake billing correction)
- > AC / DC impedance configuration



About Flyingvoice

Flyingvoice is a leading manufacturer of VoIP phones, ATA& gateways and VoIP routers. These products are preferred globally by international carriers, ITSP's, ISP's, corporate companies, and home users alike.

Driven by a need for ongoing innovation within VoWLAN technologies, Flyingvoice is committed to manufacturing products that allow for ease-of-installation scenarios within an enterprise network. Our people continuously improve existing products as well as expand upon product applications tailored to clients' requirements. These improvements ensure that your experience provides for secure, effective and efficient collaboration – anytime & anywhere.

Copyright

Copyright © Flyingvoice Network Technology Co., Ltd. All rights reserved. No parts of this publication may be reproduced or transmitted in any form or by any means, electronic or mechanical, photocopying, recording, or otherwise, for any purpose, without the express written permission of Flyingvoice Network Technology Co., Ltd.

Technical Support

Visit www.flyingvoice.com for product documents and FAQ, or contact Flyingvoice by email at support@flyingvoice.com. We'll get you the help you need.



Flyingvoice Network Technology Co., Ltd.

Website: www.flyingvoice.com

Add: Rm 207-209, Block B52, Zhongchuang Industrial Park,
Nanshan District, Shenzhen, Guangdong, 518000 China

Copyright© Flyingvoice Network Technology Co., Ltd. All Rights Reserved